

Designed for agricultural use in center pivots, solid sets, hand lines, crop cooling and frost control, these models of impact sprinklers can also be used in landscape irrigation situations requiring large area coverage.



17023R



17023W

Features and Benefits

- Solid brass construction.
- Stainless steel drive spring.
- "Sure Seal" sand load bearing assembly.
- Bearing assembly hood for longer wear life.
- Chemical resistant bearing seals.
- 23° angle of trajectory
- 17023W stainless steel spindle.
- Solid brass nozzle.

Operating Ranges

	U.S.	Metric
Pressure:	25 - 60 psi	1.72 - 4.14 bars
Flow:	1.28 - 5.48 gpm	4.84 - 20.74 l/min
Spacing:	33 - 44 feet	10.06 - 13.42 m
Trajectory:	23°	

MODEL DESCRIPTIONS

Model No.	1/2" Full Circle, Brass Impact Sprinklers
17023R	23° angle, 1/2" Full Circle, Brass Impact Sprinkler
17023W	23° angle, 1/2" Full Circle, Brass Impact Sprinkler

Specifications

- 1/2" male inlet, National Pipe Thread (NPT).
- 17023R nozzle thread, 3/8" - 24 UNF.
- 17023W nozzle thread, 1/8" - 27 NPT.

MODEL 17023W Standard Nozzle Performance

PSI	Nozzle Sizes									
	3/32"		#39		7/64"		1/8"		9/64"	
	Dia	GPM	Dia	GPM	Dia	GPM	Dia	GPM	Dia	GPM
25	67	1.28	68	1.44	69	1.73	71	2.19	74	2.82
30	69	1.41	70	1.59	71	1.89	74	2.42	77	3.10
35	70	1.51	71	1.68	73	2.04	76	2.60	79	3.36
40	71	1.62	72	1.80	74	2.19	77	2.79	80	3.61
45	72	1.72	73	1.92	75	2.31	78	2.96	81	3.81
50	73	1.84	74	2.02	76	2.44	79	3.14	82	4.03
55	74	1.92	75	2.10	77	2.57	80	3.27	83	4.23
60	75	2.02	76	2.19	78	2.67	81	3.44	84	4.44

*Standard Nozzle

Nominal stream height 7'

To Specify:

17023R	07
Model	Nozzle Code

MODEL 17023R Standard Nozzle Performance

PSI	Nozzle Sizes									
	7/64"		3/32"		1/8"		9/64"		5/32"	
	Dia	GPM	Dia	GPM	Dia	GPM	Dia	GPM	Dia	GPM
35	76	2.05	68	1.49	78	2.67	82	3.40	84	4.19
40	78	2.20	70	1.6	80	2.86	82	3.62	84	4.48
45	78	2.33	70	1.72	80	3.04	84	3.84	84	4.72
50	80	2.45	72	1.81	82	3.21	84	4.07	86	4.99
55	80	2.56	72	1.9	82	3.35	86	4.23	86	5.22
60	80	2.69	74	1.98	82	3.51	86	4.42	88	5.48

*Standard Nozzle

Nominal stream height 7'

NOZZLE CODE		
Code	Inches	mm
06	3/32"	2.40
07	7/64"	2.80
08	1/8"	3.20
09	9/64"	3.60
10	5/32"	4.00

1/2" WEDGE DRIVE BRASS IMPACT SPRINKLERS



170W23R

These impact sprinklers are designed for agricultural use in solid sets, hand lines, crop cooling and frost control.



170W23W

Operating Ranges

	U.S.	Metric
Pressure:	25 - 60 psi	1.72 - 4.14 bars
Flow:	.33 - 3.51 gpm	1.25 - 13.28 l/min
Spacing:	31 - 41 feet	9.45 - 12.50 m
Trajectory:	23°	

Specifications

- 1/2" male inlet, National Pipe Thread (NPT).
- 170W23R nozzle thread, 3/8" - 24 UNF.
- 170W23W nozzle thread, 1/8" - 27 NPT.

Features and Benefits

- Solid brass construction.
- Stainless steel drive spring.
- Plastic, self-cleaning wedge drive assembly.
- "Sure Seal®" sand load bearing assembly.
- Chemical resistant bearing seals.
- 23° angle of trajectory.
- Solid brass nozzle.
- Bearing assembly hood for longer wear life.
- 170W23W stainless steel spindle.

To Specify:

NOZZLE CODE		
Code	Inches	mm
04	1/16"	1.60
05	5/64"	2.00
06	3/32"	2.40
07	7/64"	2.80

170W23R	05
Model	Nozzle Code

MODEL DESCRIPTIONS	
Model No.	1/2" Full Circle, Brass Impact Sprinklers
170W23R	23° angle, 1/2" Full Circle
170W23W	23° angle, 1/2" Full Circle

MODEL 170W23W (Wedge) Performance

PSI	Nozzle Sizes											
	#55		1/16"		5/64"		3/32"		7/64"		1/8"	
	Dia	GPM	Dia	GPM	Dia	GPM	Dia	GPM	Dia	GPM	Dia	GPM
25	62	0.33	66	0.54	62	0.85	64	1.28	74	1.70	72	2.25
30	65	0.38	68	0.61	64	0.92	68	1.40	75	1.83	76	2.46
35	68	0.44	70	0.66	66	1.01	72	1.53	76	2.03	78	2.68
40	66	0.47	69	0.71	65	1.08	72	1.65	76	2.19	78	2.81
45	64	0.51	68	0.77	64	1.15	72	1.75	76	2.32	78	3.02
50	64	0.55	67	0.83	64	1.22	73	1.82	77	2.45	80	3.20
55	64	0.57	66	0.86	64	1.29	74	1.95	78	2.57	82	3.36
60	61	0.61	65	0.89	65	1.36	74	2.03	78	2.70	82	3.51

*Standard Nozzle

MODEL 170W23R (Wedge) Performance

PSI	Nozzle Sizes										PSI			
	1/16"		#51		#50		5/64"		#44			3/32"		7/64"
	Dia	GPM	Dia	GPM	Dia	GPM	Dia	GPM	Dia	GPM	Dia	GPM	Dia	GPM
25	58	0.56	58	0.64	60	0.69	62	0.89	64	1.06	66	1.26	70	1.72
30	58	0.63	60	0.7	60	0.77	62	0.98	66	1.16	68	1.38	70	1.91
35	60	0.67	60	0.78	62	0.83	64	1.04	66	1.28	68	1.49	72	2.04
40	60	0.72	62	0.84	62	0.91	64	1.11	68	1.37	70	1.60	74	2.20
45	62	0.76	62	0.88	64	0.96	66	1.18	68	1.45	70	1.72	74	2.33
50	62	0.80	64	0.91	64	1.01	68	1.26	70	1.50	72	1.81	76	2.46
55	64	0.83	64	0.97	66	1.04	68	1.30	70	1.56	72	1.90	76	2.56
60	64	0.87	66	1.01	66	1.11	68	1.36	72	1.61	74	1.98	76	2.67

*Standard Nozzle

Designed for agricultural use in under tree solid set systems.

Wedge Series

1/2" Full Circle Impact Sprinkler - Wedge Drive



170W15RP

Features and Benefits

for longer wear life.

- Solid brass construction.
- Stainless steel drive spring.
- Plastic, self-cleaning wedge drive assembly.
- "Sure Seal" sand load bearing assembly.
- Bearing assembly hood
- Chemical resistant bearing seals.
- 1/2" male NPT plastic bearing.
- 15° angle of trajectory.
- Solid brass nozzle.

Operating Ranges

U.S.	Metric
Pressure: 25 - 50 psi	1.72 - 3.45 bars
Flow: .55 - 2.45 gpm	2.08 - 9.27 l/min
Spacing: 25 - 35 feet	7.62 - 10.67 m
Trajectory: 15°	

To Specify:

170W15RP	06
Model	Nozzle Code

NOZZLE CODE		
Code	Inches	mm
04	1/16"	1.60
05	5/64"	2.00
06	3/32"	2.40
07	7/64"	2.80
#51	.067"	1.70
#50	.07"	1.77
#44	.086"	2.18

Specifications

- 1/2" NPT inlet plastic bearing.
- 170W15RP nozzle thread, 3/8" - 24 UNF.

MODEL DESCRIPTIONS	
Model No.	1/2" Wedge Drive, Brass Impact Sprinkler
170W15RP	15° angle, Full Circle

MODEL 170W15RP Performance

Nozzle Sizes														
PSI	1/16"		#51		#50		5/64"		#44		3/32"		7/64"	
	Dia	GPM	Dia	GPM	Dia	GPM	Dia	GPM	Dia	GPM	Dia	GPM	Dia	GPM
25	51	0.56	52	0.65	53	0.70	54	0.88	55	1.07	57	1.27	61	1.73
30	53	0.62	54	0.71	55	0.78	56	0.97	57	1.17	59	1.39	63	1.90
35	54	0.66	56	0.77	57	0.84	58	1.05	60	1.27	61	1.50	65	2.05
40	56	0.72	57	0.83	58	0.90	60	1.12	62	1.36	63	1.61	67	2.19
45	57	0.75	59	0.87	60	0.95	62	1.19	63	1.44	65	1.71	69	2.32
50	58	0.80	60	0.92	61	1.00	63	1.25	64	1.51	66	1.80	70	2.45

Nominal Stream Height 3.5"



2000S Dual Nozzle

Available with plug
for single nozzle use

2000S Series

3/4" Full Circle Impact Sprinkler

Features and Benefits

- Solid brass construction.
- Stainless steel drive spring.
- "Sure Seal[®]" sand load bearing assembly.
- Bearing assembly hood for longer wear life.
- Chemical resistant bearing seals.
- Optional stream straightener for nozzle sizes 11, 12 and 13 only
- Single nozzle or dual nozzle (use plug for single nozzle).
- Solid brass nozzle.

Operating Ranges

U.S.	Metric
Pressure: 35 - 80 psi	2.41 - 5.52 bars
Flow: 2.53 - 15.71 gpm	9.52 - 59.52 l/min
Spacing: 40 - 60 feet	12.19 - 18.90 m
Trajectory: 25°	

To Specify:

2000S	BS	10	06
Model	Option	Nozzle Code	Nozzle Code

Specifications:

- 3/4" male inlet, National Pipe Thread (NPT).
- Drive side nozzle 1/4"-18 NPT.
- Range side nozzle 3/8"-24 UNF.

Designed for agricultural use in center pivots, solid sets, hand lines, wheel lines, side rolls and large area landscape irrigation. The model 2000SX impact sprinkler can also be used in the mining and logging industries.

These impacts are also designed for frost protection.

NOZZLE CODE		
Code	Inches	mm
06	3/32"	2.40
08	1/8"	3.20
09	9/64"	3.60
10	5/32"	4.00
11	11/64"	4.30
12	3/16"	4.80
13	13/64"	5.20
14	7/32"	5.60

MODEL DESCRIPTIONS	
Model No.	3/4" Full Circle Brass Impact Sprinklers
2000SX	Includes stream straightening vane
OPTIONS	Add (X) for stream straightener. (Only available for nozzle sizes 11,12 and 13)

2000S Series

Dual Nozzle	Pressure		Radius		Flow	
	PSI	Bars	Feet	Meters	GPM	Ltrs/Min
09/06	35	2.41	41	12.50	4.89	18.53
	40	2.76	42	12.80	5.24	19.85
	45	3.10	42	12.80	5.71	21.63
	50	3.45	43	13.11	5.85	22.16
	55	3.79	43	13.11	6.19	23.45
	60	4.14	44	13.41	6.39	24.21
	65	4.48	44	13.41	6.73	25.50
	70	4.83	45	13.72	6.94	26.29
10/06	75	5.17	45	13.72	7.14	27.05
	80	5.52	46	14.02	7.28	27.58
	35	2.41	44	13.41	5.78	21.90
	40	2.76	44	13.41	6.26	23.72
	45	3.10	45	13.72	6.66	25.23
	50	3.45	45	13.72	6.87	26.03
	55	3.79	46	14.02	7.21	27.32
	60	4.14	46	14.02	7.55	28.60
11/06*	65	4.48	47	14.33	7.88	29.85
	70	4.83	47	14.33	8.16	30.91
	75	5.17	48	14.63	8.36	31.67
	80	5.52	48	14.63	8.64	32.73
	35	2.41	45	13.72	6.73	25.50
	40	2.76	46	14.02	7.21	27.32
	45	3.10	47	14.33	7.62	28.87
	50	3.45	48	14.63	8.03	30.42
12/06	55	3.79	48	14.63	8.43	31.94
	60	4.14	49	14.94	8.71	33.00
	65	4.48	49	14.94	9.11	34.51
	70	4.83	50	15.24	9.45	35.80
	75	5.17	50	15.24	9.79	37.09
	80	5.52	51	15.55	10.06	38.11
	35	2.41	48	14.63	7.41	28.07
	40	2.76	49	14.94	7.82	29.63
12/08*	45	3.10	49	14.94	8.29	31.41
	50	3.45	50	15.24	8.77	33.23
	55	3.79	51	15.55	9.18	34.78
	60	4.14	51	15.55	9.58	36.29
	65	4.48	52	15.85	9.86	37.35
	70	4.83	52	15.85	10.26	38.87
	75	5.17	53	16.15	10.67	40.42
	80	5.52	53	16.15	10.94	41.45
13/08	35	2.41	48	14.63	8.63	32.69
	40	2.76	49	14.94	9.31	35.27
	45	3.10	49	14.64	9.79	37.09
	50	3.45	50	15.24	10.41	39.44
	55	3.79	51	15.55	10.88	41.22
	60	4.14	51	15.55	11.28	42.73
	65	4.48	52	15.85	11.76	44.55
	70	4.83	52	15.85	12.17	46.11
14/08	75	5.17	53	16.15	12.58	47.66
	80	5.52	53	16.15	13.05	49.44
	35	2.41	49	14.94	9.66	36.60
	40	2.76	50	15.24	10.27	38.91
	45	3.10	51	15.55	10.88	41.22
	50	3.45	52	15.85	11.42	43.26
	55	3.79	52	15.85	12.04	45.61
	60	4.14	53	16.15	12.58	47.66
14/08	65	4.48	53	16.15	13.06	49.48
	70	4.83	54	16.46	13.43	50.88
	75	5.17	54	16.46	13.82	52.36
	80	5.52	55	16.76	14.21	53.83
	35	2.41	50	15.24	10.61	40.20
	40	2.76	52	15.85	11.28	42.73
	45	3.10	53	16.15	11.91	45.12
	50	3.45	53	16.15	12.58	47.66
14/08	55	3.79	54	16.46	13.12	49.71
	60	4.14	54	16.46	13.73	52.02
	65	4.48	55	16.76	14.21	53.83
	70	4.83	55	16.76	14.75	55.88
	75	5.17	56	17.07	15.23	57.70
	80	5.52	56	17.07	15.71	59.52

*Standard Nozzle

2000S Series

Single Nozzle	Pressure		Diameter		Flow	
	PSI	Bars	Feet	Meters	GPM	Ltrs/Min
08	35	2.41	80	24.38	2.69	10.18
	40	2.76	82	24.99	2.88	10.90
	45	3.10	82	24.99	3.05	11.55
	50	3.45	83	25.30	3.21	12.15
	55	3.79	84	25.60	3.37	12.76
	60	4.14	85	25.91	3.53	13.36
	65	4.48	85	25.91	3.67	13.89
	70	4.83	85	25.91	3.81	14.42
09	75	5.17	85	25.91	3.94	14.91
	80	5.52	85	25.91	4.07	15.41
	35	2.41	82	24.99	3.47	13.14
	40	2.76	83	25.30	3.74	14.17
	45	3.10	84	25.60	4.01	15.20
	50	3.45	85	25.91	4.13	15.63
	55	3.79	86	26.21	4.18	15.84
	60	4.14	87	26.52	4.28	16.23
10	65	4.48	88	26.82	4.49	17.00
	70	4.83	89	27.13	4.69	17.78
	75	5.17	90	27.43	4.83	18.29
	80	5.52	91	27.74	4.96	18.81
	35	2.41	87	26.52	4.35	16.49
	40	2.76	88	26.82	4.62	17.52
	45	3.10	89	27.13	4.90	18.55
	50	3.45	90	27.43	5.17	19.58
11	55	3.79	91	27.74	5.44	20.61
	60	4.14	92	28.04	5.64	21.38
	65	4.48	93	28.35	5.92	22.41
	70	4.83	94	28.65	6.05	22.93
	75	5.17	95	28.96	6.26	23.70
	80	5.52	96	29.26	6.53	24.73
	35	2.41	90	27.43	5.03	19.06
	40	2.76	92	28.04	5.57	20.35
12*	45	3.10	94	28.65	5.64	21.38
	50	3.45	95	28.96	6.05	22.93
	55	3.79	96	29.26	6.39	24.22
	60	4.14	97	29.57	6.53	24.73
	65	4.48	98	29.87	6.87	26.02
	70	4.83	99	30.18	7.21	27.31
	75	5.17	100	30.48	7.41	28.08
	80	5.52	101	30.79	7.62	28.85
13	35	2.41	95	28.96	5.84	22.12
	40	2.76	97	29.57	6.32	23.94
	45	3.10	98	29.87	6.66	25.23
	50	3.45	100	30.48	7.01	26.56
	55	3.79	101	30.79	7.34	27.81
	60	4.14	102	31.09	7.68	29.10
	65	4.48	103	31.40	7.95	30.12
	70	4.83	104	31.70	8.29	31.41
14	75	5.17	105	32.01	8.56	32.43
	80	5.52	106	32.31	8.84	33.49
	35	2.41	97	29.57	7.21	27.32
	40	2.76	100	30.48	7.68	29.10
	45	3.10	102	31.09	8.23	31.18
	50	3.45	103	31.40	8.70	32.96
	55	3.79	104	31.70	9.04	34.25
	60	4.14	105	32.01	9.38	35.54
14	65	4.48	106	32.31	9.79	37.09
	70	4.83	107	32.61	10.13	38.38
	75	5.17	108	32.92	10.47	39.67
	80	5.52	109	33.22	10.74	40.69
	35	2.41	100	30.48	7.75	29.36
	40	2.76	103	31.40	8.29	31.41
	45	3.10	105	32.01	8.77	33.23
	50	3.45	106	32.31	9.31	35.27
14	55	3.79	107	32.61	9.65	36.56
	60	4.14	108	32.92	10.21	38.68
	65	4.48	109	33.22	10.61	40.20
	70	4.83	110	33.53	10.94	41.45
	75	5.17	111	33.83	11.28	42.73
	80	5.52	112	34.14	11.69	44.29

*Standard Nozzle



300SAX



350SAX

300SAX & 350SAX Series

Features and Benefits

- Solid brass construction.
- Stainless steel drive spring.
- "Sure Seal"™ sand load bearing assembly.
- Bearing assembly hood for longer wear life (model 300SAX only).
- Chemical resistant bearing seals.
- Adjustable diffuser pin.
- Opposing nozzles or nozzles on same side.
- Stream straightener standard.
- Optional British Standard Pipe Threaded version available (BS).
- Solid brass nozzle.

Operating Ranges

U.S.	Metric
Pressure: 40 - 80 psi	2.76 - 5.52 bars
Flow: 14.61 - 46.59 gpm	55.3 - 176.96 l/min
Spacing: 47 - 80 feet	14.33 - 24.38 m
Trajectory: 23°	

Specifications:

- 1" male inlet, National Pipe Thread (NPT).
- 300SAX drive nozzle 1/4"-18 NPT.
- 300SAX range nozzle 5/8"-18 UNF.
- 350SAX drive nozzle 5/8"-18 UNF.
- 350SAX filler nozzle 3/8"-24 UNF.

To Specify:

300SAX	12	06	BS
Model	Nozzle Code	Nozzle Code	Options

NOZZLE CODE		
Code	Inches	mm
08	1/8"	3.20
12	3/16"	4.80
14	7/32"	5.60
16	1/4"	6.40
18	9/32"	7.10
20	5/16"	7.90
22	11/32"	8.30
24	3/8"	8.50
PG	Plug	Available on 350 Series

Designed for agricultural use in crop irrigation on solid sets, side rolls and hose reel systems. The model 300SAX and 350SAX impact sprinkler can also be used in the mining, logging and waste water treatment industries.

MODEL DESCRIPTIONS	
300SAX	Opposing nozzles. Includes stream straightening vane.
350SAX	Nozzles on same side and plug available on inner nozzle. Includes stream straightening vane.

300SAX Series

300SAX						
Double Nozzle	Pressure		Radius		Flow	
	PSI	Bars	Feet	Meters	GPM	Ltrs/Min
12/14 (3/16" x 7/32")	40	2.76	59	18.0	14.61	55.30
	45	3.10	60	18.3	15.43	58.40
	50	3.45	61	18.6	16.32	61.77
	55	3.79	62	18.9	16.99	64.31
	60	4.14	63	19.2	17.89	67.74
	65	4.48	64	19.5	18.56	70.25
	70	4.83	65	19.8	19.23	72.79
	75	5.17	66	20.1	19.84	75.09
	80	5.52	67	20.4	20.53	77.71
	85	5.86	68	20.7	21.24	80.39
12/16 (3/16" x 1/4")	40	2.76	61	18.6	17.02	64.42
	45	3.10	62	18.9	17.88	67.68
	50	3.45	63	19.2	18.91	71.57
	55	3.79	64	19.5	19.85	75.13
	60	4.14	64	19.5	19.85	75.13
	65	4.48	65	19.8	21.48	81.30
	70	5.17	68	20.7	23.12	87.51
	75	5.17	68	20.7	23.12	87.51
	80	5.62	69	21.0	24.07	91.10
	85	5.86	70	21.3	24.91	94.28
14/16* (7/32" x 1/4")	40	2.76	62	18.9	18.56	70.25
	45	3.10	63	19.2	19.65	74.38
	50	3.45	63	19.2	20.74	78.50
	55	3.79	64	19.5	21.76	82.36
	60	4.14	64	19.5	22.91	86.71
	65	4.48	65	19.8	23.66	89.55
	70	4.83	66	20.1	24.61	93.15
	75	5.17	67	20.4	25.43	96.25
	80	5.52	68	20.7	26.24	99.32
	85	5.86	70	21.3	28.73	108.74
14/18 (7/32" x 9/32")	40	2.76	63	19.2	20.94	79.26
	45	3.10	64	19.5	22.23	84.14
	50	3.45	65	19.8	23.39	88.53
	55	3.79	66	20.1	24.54	92.88
	60	4.14	68	20.7	25.56	96.74
	65	4.48	69	21.0	26.58	100.61
	70	4.83	70	21.3	27.64	104.62
	75	5.17	71	21.6	28.49	107.83
	80	5.52	72	21.9	29.44	111.43
	85	5.86	73	22.3	32.68	123.69
14/20 (7/32" x 5/16")	40	2.76	64	19.5	23.46	88.80
	45	3.10	66	20.1	25.03	94.74
	50	3.45	67	20.4	26.25	99.36
	55	3.79	68	20.7	27.61	104.50
	60	4.14	69	21.0	28.70	108.63
	65	4.48	71	21.6	29.92	113.25
	70	4.83	72	21.6	30.87	116.84
	75	5.17	73	22.3	32.03	121.23
	80	5.52	74	22.6	32.91	124.56
	85	5.86	76	23.2	37.04	140.20
16/22 (1/4" x 11/32")	40	2.76	65	19.8	30.05	113.74
	45	3.10	67	20.4	31.81	120.40
	50	3.45	68	20.7	33.52	126.87
	55	3.79	70	21.3	35.22	133.31
	60	4.14	73	22.3	36.78	139.21
	65	4.48	74	22.6	37.88	143.38
	70	4.83	75	22.9	39.56	149.73
	75	5.17	76	23.2	40.93	155.92
	80	5.52	78	23.8	42.30	160.11
	85	5.86	77	23.5	46.71	176.80
16/24 (1/4" x 3/8")	40	2.76	66	20.1	34.06	128.92
	45	3.10	67	20.4	36.16	136.87
	50	3.45	70	21.3	38.21	144.62
	55	3.79	72	21.9	40.06	151.63
	60	4.14	75	22.9	41.67	157.72
	65	4.48	77	23.5	43.38	164.19
	70	4.83	78	23.8	44.87	169.83
	75	5.17	79	24.1	46.64	176.53
	80	5.52	80	24.4	48.08	181.98
	85	5.86	82	25.0	52.77	199.73

*Standard Nozzle

350SAX Series

350SAX									
Single Nozzle	Pressure		Radius		Flow		Double Nozzle	Flow	
	PSI	Bars	Feet	Meters	GPM	Ltrs/Min		GPM	Ltrs/Min
12/PG* (3/16")	40	2.76	49	14.9	6.32	23.92	(3/16" x 1/8")	9.31	35.24
	45	3.10	50	15.2	6.66	25.21		9.79	37.05
	50	3.45	51	15.5	7.01	26.53		10.41	39.40
	55	3.79	52	15.9	7.34	27.78		10.88	41.18
	60	4.14	52	15.9	7.68	29.07		11.28	42.69
	65	4.48	53	16.2	7.95	30.09		11.76	44.51
	70	4.83	53	16.2	8.29	31.38		12.17	46.06
	75	5.17	54	16.5	8.56	32.40		12.58	47.62
	80	5.52	55	16.8	8.84	33.46		13.05	49.39
	85	5.56	57	17.4	9.40	35.58		13.71	51.89
14/PG (3/16")	40	2.76	51	15.5	8.29	31.38	(3/16" x 1/8")	11.28	42.69
	45	3.10	53	16.2	8.77	33.19		11.91	45.08
	50	3.45	55	16.8	9.31	35.24		12.58	47.62
	55	3.79	57	17.4	9.65	36.64		13.12	49.67
	60	4.14	58	17.7	10.21	38.68		13.73	51.96
	65	4.48	60	18.3	10.61	40.16		14.21	53.78
	70	4.83	61	18.6	10.94	41.41		14.75	55.83
	75	5.17	62	18.9	11.28	42.69		15.23	57.65
	80	5.52	63	19.2	11.69	44.25		15.71	59.46
	85	5.86	65	19.8	12.62	47.77		16.84	63.74
16/PG (1/4")	40	2.76	54	16.5	10.94	41.41	(1/4" x 1/8")	14.89	56.36
	45	3.10	55	16.8	11.62	43.98		15.84	59.95
	50	3.45	58	17.7	12.24	46.33		16.52	64.57
	55	3.79	59	18.0	12.85	48.64		17.06	64.63
	60	4.14	60	18.3	13.32	50.42		17.88	67.68
	65	4.48	62	18.9	13.87	52.50		18.56	70.25
	70	4.83	63	19.2	14.34	54.28		19.04	72.07
	75	5.17	64	19.5	14.82	56.09		19.72	74.64
	80	5.52	65	19.8	15.31	57.95		20.91	79.14
	85	5.86	66	20.1	16.50	62.45		22.10	83.65
18/PG* (9/32")	40	2.76	58	17.7	13.94	52.76	(9/32" x 1/8")	16.52	62.53
	45	3.10	60	18.3	14.75	55.83		17.54	66.39
	50	3.45	62	18.9	15.43	58.40		18.49	69.98
	55	3.79	63	19.2	16.32	61.77		19.31	73.09
	60	4.14	65	19.8	17.01	64.38		20.26	76.68
	65	4.48	67	20.4	17.61	66.65		21.01	79.52
	70	4.83	69	21.0	18.29	69.23		21.82	82.59
	75	5.17	70	21.3	18.91	71.57		22.57	85.43
	80	5.52	71	21.6	19.52	73.88		23.25	88.00
	85	5.86	72	21.9	20.95	79.30		25.03	94.74
20/PG (5/16")	40	2.76	60	18.3	16.72	63.39	(5/16" x 1/8")	21.35	80.81
	45	3.10	62	18.9	17.61	66.65		22.51	85.20
	50	3.45	63	19.2	18.63	70.51		23.52	89.02
	55	3.79	65	19.8	19.44	73.56		24.41	92.39
	60	4.14	67	20.4	20.33	76.95		25.36	95.99
	65	4.48	69	21.0	21.14	80.01		26.18	99.09
	70	4.83	67	21.6	21.96	83.12		26.99	102.16
	75	5.17	73	22.3	22.71	85.96		29.52	111.73
	80	5.52	74	22.6	23.46	88.80		32.05	121.31
	85	5.86	75	22.9	25.55	96.71		33.78	127.86
22/PG (11/32")	40	2.76	61	18.6	19.11	72.33	(11/32" x 1/8")	21.49	81.34
	45	3.10	63	19.2	20.19	76.42		23.05	87.24
	50	3.45	65	19.8	21.28	80.54		24.28	91.90
	55	3.79	67	20.4	22.37	84.67		25.56	96.74
	60	4.14	69	21.0	23.46	88.80		26.52	100.38
	65	4.48	71	21.6	24.01	90.88		27.54	104.24
	70	4.83	73	22.3	25.22	95.46		28.70	108.63
	75	5.17	74	22.6	26.11	98.83		29.37	111.17
	80	5.52	76	23.2	26.99	102.16		30.32	114.76
	85	5.86	77	23.5	30.21	114.34		34.09	129.03
24/PG (3/8")	40	2.76	63	19.2	23.12	87.51	(3/8" x 1/8")	25.22	95.46
	45	3.10	65	19.8	24.54	92.88		26.72	101.14
	50	3.45	67	20.4	25.97	98.30		28.83	109.12
	55	3.79	70	21.3	27.21	102.99		29.65	112.23
	60	4.14	73	22.3	28.35	107.30		30.80	116.58
	65	4.48	75	22.9	29.51	111.70		31.96	120.97
	70	4.83	76	23.2	30.53	115.56		35.05	132.66
	75	5.17	76	23.2	31.82	120.44		34.07	128.95
	80	5.52	78	23.8	32.77	124.03		35.36	133.84
	85	5.86	79	24.1	36.28	137.22		39.78	150.57

*Standard Nozzle



Drive Nozzle

Range Nozzle

400S

400S Series

Features and Benefits

- Solid brass construction.
- Stainless steel drive spring.
- "Sure Seal" sand load bearing assembly.
- Chemical resistant bearing seals.
- Adjustable diffuser pin.
- Opposing nozzles.
- Range tube for improved throw.
- Optional British Standard Pipe Threaded version available (BS).
- Solid brass nozzles.

To Specify:

400S	14	24	BS
Model	Nozzle Code	Nozzle Code	Options

Operating Ranges

U.S.	Metric
Pressure: 65 - 100 psi	4.48 - 6.90 bar
Flow: 34.62 - 132.18 gpm	131.16 - 500.76 l/min
Spacing: 85 - 117 feet	25.91 - 35.66 m
Trajectory: 23°	

The model 400S is designed for hose reel systems, fertilizer disbursement, waste water treatment, water reclamation, mining, logging and dust control.



Specifications:

- 1 1/4" male inlet, National Pipe Thread (NPT).
- Optional British Standard Pipe Thread version available (BS).
- Drive nozzle 3/4"-16 UNF.
- Range nozzle 3/4"-16 UNF.

MODEL DESCRIPTIONS	
Model No.	Description
400S	1 1/4" full circle sprinkler, opposing nozzles
OPTIONS:	For BSPT inlet, add (BS) to model number

400S Series

400S						
Double Nozzle	Pressure		Radius		Flow	
	PSI	Bars	Feet	Meters	GPM	Ltrs/Min
14/22	65	4.48	86	26.21	34.62	131.16
	70	4.83	87	26.52	36.16	136.99
	75	5.17	89	27.13	37.39	141.65
	80	5.52	90	27.43	38.68	146.54
	85	5.86	92	28.04	39.85	150.97
	90	6.21	93	28.35	41.00	155.33
	95	6.55	94	28.65	42.08	159.42
	100	6.90	95	28.96	42.97	162.79
14/24*	65	4.48	89	27.13	40.12	151.99
	70	4.83	90	27.43	41.47	157.11
	75	5.17	92	28.04	43.10	163.28
	80	5.52	93	28.35	44.46	168.44
	85	5.86	95	28.96	45.70	173.13
	90	6.21	96	29.26	46.99	178.02
	95	6.55	97	29.57	48.20	182.61
	100	6.90	98	29.87	49.56	187.76
14/26*	65	4.48	91	27.74	46.50	176.17
	70	4.83	93	28.35	48.68	184.42
	75	5.17	94	28.65	50.13	189.92
	80	5.52	96	29.26	51.65	195.68
	85	5.86	97	29.57	53.55	202.87
	90	6.21	99	30.18	54.86	207.84
	95	6.55	100	30.48	56.37	213.56
	100	6.90	101	30.79	58.00	219.73
16/28	65	4.48	94	28.65	56.05	212.35
	70	4.83	95	28.96	58.18	220.41
	75	5.17	97	29.57	59.96	227.16
	80	5.52	98	29.87	61.93	234.62
	85	5.86	100	30.48	63.68	241.25
	90	6.21	101	30.79	65.57	248.41
	95	6.55	102	31.09	67.65	256.29
	100	6.90	103	31.40	69.30	262.54
16/30	65	4.48	96	29.26	62.52	236.86
	70	4.83	98	29.87	65.03	246.37
	75	5.17	99	30.18	67.17	254.47
	80	5.52	101	30.79	69.52	263.38
	85	5.86	102	31.09	71.45	270.69
	90	6.21	104	31.70	73.34	277.85
	95	6.55	105	32.01	75.42	285.73
	100	6.90	106	32.31	77.25	292.66
16/32	65	4.48	99	30.18	68.81	260.69
	70	4.83	100	30.48	71.69	271.60
	75	5.17	102	31.09	74.20	281.11
	80	5.52	103	31.40	75.43	285.77
	85	5.86	105	32.01	79.04	299.44
	90	6.21	106	32.31	81.11	307.29
	95	6.55	107	32.61	83.23	315.32
	100	6.90	108	32.92	85.21	322.82
16/34	65	4.48	101	30.79	80.28	304.14
	70	4.83	103	31.40	82.97	314.33
	75	5.17	104	31.70	84.56	320.36
	80	5.52	106	32.31	87.46	331.34
	85	5.86	107	32.61	89.95	340.78
	90	6.21	109	33.22	92.79	351.54
	95	6.55	110	33.53	95.63	362.29
	100	6.90	111	33.83	98.60	373.55
16/36	65	4.48	104	31.70	80.28	304.14
	70	4.83	105	32.01	82.97	314.33
	75	5.17	107	32.61	84.56	320.36
	80	5.52	108	32.92	87.46	331.34
	85	5.86	110	33.53	89.95	340.78
	90	6.21	111	33.83	92.79	351.54
	95	6.55	112	34.14	95.63	362.29
	100	6.90	113	34.44	98.21	373.55
16/40	65	4.48	108	32.92	97.42	369.08
	70	4.83	110	33.53	102.39	387.90
	75	5.17	111	33.83	107.37	406.77
	80	5.52	113	34.44	112.36	425.68
	85	5.86	114	34.75	117.32	444.47
	90	6.21	116	35.36	122.23	463.07
	95	6.55	117	35.66	127.14	481.67
	100	6.90	118	35.97	132.18	500.76

*Standard Nozzle

NOZZLE CODE		
Code	Inches	mm
14	7/32"	5.6
16	1/4"	6.4
22	11/32"	8.7
24	3/8"	9.5
26	13/32"	10.3
28	7/16"	11.1
30	15/32"	11.9
32	1/2"	12.7
34	17/32"	13.5
36	9/16"	14.3
40	5/8"	15.90



AI120

1 1/4" Full Circle
Over Under Nozzles

To Specify:

AI120	18	PG
Model	Nozzle Code	Nozzle Code

If you need an impact that will reach farther, Buckner's 1 1/4" impacts are exactly what you need. With a radius up to 113 feet, your large commercial, agricultural, or municipal requirements are easily met. As always, a wide variety of nozzles give extra control over the impact's use, whether they're being permanently installed or added to a quick coupler for special applications.

Features and Benefits

- Inner break-up/spreader nozzle provides uniform water distribution.
- Stream straighteners ensure maximum radius, superior high wind performance.
- Solid brass nozzle.
- Brass and stainless steel construction provide strength, durability and corrosion resistance.
- 23° Trajectory

Operating Ranges

*Throw: 75' -113' radius
150' - 226' diameter*

Flow: 24.9 - 121 gpm

Pressure: 55 - 95 psi

Trajectory: 23°

Specifications

- 1 1/4" male inlet, National Pipe Thread (NPT).
- Nozzle thread top drive 1"-20 UNF.
- Lower nozzle 1/8"-27 NPT.

NOZZLE CODE		
Code	Inches	mm
PG	Plug	
14	7/32"	5.60
15	15/64"	6.00
16	1/4"	6.40
17	17/64"	6.70
18	9/32"	7.10
22	11/32"	8.70
24	3/8"	9.50
26	13/32"	10.30
28	7/16"	11.10
32	1/2"	12.70
34	17/32"	13.50
36	9/16"	14.30
40	5/8"	15.90

MODEL DESCRIPTION	
Model No.	1 1/4" Male NPT, Brass, Full Circle
AI120	Full circle, over under nozzle

AI120				AI120				AI120				AI120			
23° Trajectory				23° Trajectory				23° Trajectory				23° Trajectory			
Nozzle Code	Pressure PSI	Radius ft.	Flow GPM	Nozzle Code	Pressure bars	Radius meters	Flow m ³ /hr.	Nozzle Code	Pressure PSI	Radius ft.	Flow GPM	Nozzle Code	Pressure bars	Radius meters	Flow m ³ /hr.
22/PG	55	73	24.9	22/PG	3.9	22.3	5.7	22/14	55	73	34.9	22/14	3.9	22.3	7.9
	60	75	25.8		4.2	22.9	5.9		60	75	36.5		4.2	22.9	8.3
	65	77	26.9		4.6	23.5	6.1		65	77	38.0		4.6	23.5	8.6
	70	80	27.0		4.9	24.4	6.1		70	80	38.8		4.9	24.4	8.8
	75	81	28.9		5.3	24.7	6.6		75	81	41.0		5.3	24.7	9.3
	80	81	30.4		5.6	24.7	6.9		80	81	42.6		5.6	24.7	9.7
	85	81	31.1		6.0	24.7	7.1		85	81	43.8		6.0	24.7	9.9
	90	83	32.7		6.3	25.3	7.4		90	83	44.0		6.3	25.3	10.0
95	85	32.8	6.7	25.9	7.5	95	85	45.6	6.7	25.9	10.4				
24/PG*	55	75	29.6	24/PG*	3.9	22.9	6.7	24/14*	55	77	35.7	24/14*	3.9	23.5	8.1
	60	79	30.8		4.2	24.1	7.0		60	79	37.2		4.2	24.1	8.5
	65	81	32.0		4.6	24.7	7.3		65	81	38.7		4.6	24.7	8.8
	70	83	33.3		4.9	25.3	7.6		70	83	40.2		4.9	25.3	9.1
	75	85	34.7		5.3	25.9	7.9		75	85	41.7		5.3	25.9	9.5
	80	86	35.7		5.6	26.2	8.1		80	85	43.2		5.6	25.9	9.8
	85	87	36.0		6.0	26.5	8.2		85	86	44.7		6.0	26.2	10.2
	90	89	38.3		6.3	27.1	8.7		90	87	46.2		6.3	26.5	10.5
95	91	39.1	6.7	27.7	8.9	95	87	46.9	6.7	26.5	10.7				
26/PG	55	75	32.9	26/PG	3.9	22.9	7.5	26/14	55	75	43.4	26/14	3.9	22.9	9.9
	60	76	34.4		4.2	23.2	7.8		60	76	46.6		4.2	23.2	10.6
	65	77	35.8		4.6	23.5	8.1		65	77	48.6		4.6	23.5	11.0
	70	77	37.2		4.9	23.5	8.5		70	77	50.4		4.9	23.5	11.4
	75	77	38.5		5.3	23.5	8.7		75	77	52.4		5.3	23.5	11.9
	80	78	39.9		5.6	23.8	9.1		80	78	54.3		5.6	23.8	12.3
	85	79	41.2		6.0	24.1	9.4		85	79	56.0		6.0	24.1	12.7
	90	79	42.3		6.3	24.1	9.6		90	79	57.9		6.3	24.1	13.2
95	79	43.3	6.7	24.1	9.8	95	79	59.6	6.7	24.1	13.5				
28/PG	55	83	39.7	28/PG	3.9	25.3	9.0	28/14	55	83	49.1	28/14	3.9	25.3	11.2
	60	86	41.6		4.2	26.2	9.4		60	86	51.5		4.2	26.2	11.7
	65	87	43.3		4.6	26.5	9.8		65	87	53.8		4.6	26.5	12.2
	70	89	45.1		4.9	27.1	10.2		70	89	55.9		4.9	27.1	12.7
	75	90	46.8		5.3	27.4	10.6		75	90	57.9		5.3	27.4	13.2
	80	91	48.0		5.6	27.7	10.9		80	91	60.0		5.6	27.7	13.6
	85	93	50.0		6.0	28.3	11.4		85	93	62.0		6.0	28.3	14.1
	90	95	51.5		6.3	29.0	11.7		90	95	63.9		6.3	29.0	14.5
95	96	53.0	6.7	29.3	12.0	95	96	65.8	6.7	29.3	14.9				
32/PG	55	89	50.7	32/PG	3.9	27.1	11.5	32/16	55	89	63.9	32/16	3.9	27.1	14.5
	60	91	53.0		4.2	27.7	12.0		60	91	67.0		4.2	27.7	15.2
	65	93	55.3		4.6	28.3	12.6		65	93	70.0		4.6	28.3	15.9
	70	94	57.7		4.9	28.7	13.1		70	94	72.6		4.9	28.7	16.5
	75	96	59.6		5.3	29.3	13.5		75	96	75.4		5.3	29.3	17.1
	80	101	63.0		5.6	30.8	14.3		80	101	75.6		5.6	30.8	17.2
	85	102	63.5		6.0	31.1	14.4		85	102	80.5		6.0	31.1	18.3
	90	103	65.3		6.3	31.4	14.8		90	103	83.6		6.3	31.4	19.0
95	105	67.1	6.7	32.0	15.2	95	105	85.0	6.7	32.0	19.3				
36/PG	55	96	63.2	36/PG	3.9	29.3	14.4	36/16	55	96	76.8	36/16	3.9	29.3	17.4
	60	97	65.5		4.2	29.6	14.9		60	97	80.5		4.2	29.6	18.3
	65	99	69.4		4.6	30.2	15.8		65	99	84.1		4.6	30.2	19.1
	70	101	72.2		4.9	30.8	16.4		70	101	87.4		4.9	30.8	19.9
	75	102	74.9		5.3	31.1	17.0		75	102	90.7		5.3	31.1	20.6
	80	104	77.5		5.6	31.7	17.6		80	104	93.6		5.6	31.7	21.3
	85	105	80.0		6.0	32.0	18.2		85	105	96.9		6.0	32.0	22.0
	90	106	82.2		6.3	32.3	18.7		90	106	99.5		6.3	32.3	22.6
95	108	84.3	6.7	32.9	19.1	95	108	102.0	6.7	32.9	23.2				
40/PG	55	97	84.9	40/PG	3.9	29.6	19.3	40/16	55	97	90.0	40/16	3.9	29.6	20.4
	60	101	89.0		4.2	30.8	20.2		60	101	94.7		4.2	30.8	21.5
	65	105	93.2		4.6	32.0	21.2		65	105	99.2		4.6	32.0	22.5
	70	107	96.5		4.9	32.6	21.9		70	107	103.0		4.9	32.6	23.4
	75	109	99.8		5.3	33.2	22.7		75	109	107.0		5.3	33.2	24.3
	80	110	102.9		5.6	33.5	23.4		80	110	110.0		5.6	33.5	25.0
	85	111	106.0		6.0	33.8	24.1		85	111	114.0		6.0	33.8	25.9
	90	112	109.3		6.3	34.1	24.8		90	112	117.0		6.3	34.1	26.6
95	113	112.0	6.7	34.4	25.4	95	113	121.0	6.7	34.4	27.5				

*Standard Nozzle

1/2" PART/FULL BRASS CIRCLE IMPACT SPRINKLERS



90SD

Features and Benefits

- Solid brass construction.
- Manganese bronze die-cast drive arm.
- Patented spray distribution grooves.
- Anti-backsplash arm.
- Stainless steel drive spring and trip assembly.
- "Sure Seal®" sand load bearing assembly
- 20° to 340° arc or full circle.
- Chemical resistant bearing seals.
- Adjustable deflector plate.
- Solid brass nozzle.
- Stream straightener vane.

Operating Ranges

U.S.	Metric
Pressure: 25 - 55 psi	1.72 - 3.79 bar
Flow: 3.54 - 5.44 gpm	13.40 - 20.61 ltrs/min.
Spacing: 35 - 48 feet	10.67 - 14.63 meters
Trajectory: 25°	

Specifications

- 1/2" male inlet, National Pipe Thread (NPT).
- Drive nozzle 3/8"-24 UNF.

To Specify:

90SD 10

Model

Nozzle
Code

MODEL DESCRIPTIONS

Model No.	Description
90SD	Sure Seal® bearing, deflector and diffuser

The model 90 series impact sprinkler is designed for general landscape irrigation. It is also well suited for nursery and greenhouse use as well as industrial applications.

90 Series Performance Chart

Nozzle	Pressure		Radius		Flow	
	PSI	Bars	Feet	Meters	GPM	Ltrs/Min
10 *	25	1.72	35	10.67	3.54	13.40
	30	2.07	39	11.89	3.94	14.94
	35	2.41	42	12.80	4.35	16.49
	40	2.76	43	13.11	4.62	17.52
	45	3.10	44	13.41	4.90	18.55
	50	3.45	47	14.33	5.17	19.58
	55	3.79	48	14.63	5.44	20.61

* Standard Nozzle



65P

Model 65P & 90DZ

Features and Benefits

- 20° to 340° arc or full circle operation.
- Anti-backsplash drive arm.
- Adjustable deflector plate.
- Adjustable diffuser pin.
- Stainless steel drive spring.
- Chemical resistant bearing seals.
- 1/2" male inlet, National Pipe Thread (NPT)

Model 65P only

Features and Benefits

- Heavy duty plastic construction.
- Stream straightener built into nozzle.
- Bayonet nozzle.

Operating Ranges: 65P

	U.S.	Metric
Pressure:	25 - 60 psi	1.72 - 4.14 bar
Flow:	3.54 - 5.64 gpm	13.40 - 21.38 ltrs/min
Spacing:	33 - 47 feet	10.06 - 14.33 meters



90DZ

Model 90DZ only

Features and Benefits

- Powder coated zinc die cast body.
- Powder coated zinc die cast arm.
- Solid brass nozzle with vane.

Operating Ranges: 90DZ

	U.S.	Metric
Pressure:	25 - 55 psi	1.72 - 3.79 bar
Flow:	2.11 - 5.64 gpm	7.99 - 21.38 ltrs/min
Spacing:	34 - 47 feet	10.36 - 14.33 meters
Trajectory:	25°	

To Specify:

65P 10

Model

Nozzle

MODEL DESCRIPTIONS

Model No.	Description
65P	1/2" full/part circle heavy duty plastic impact sprinkler
90DZ	1/2" full/part circle powder coated zinc die cast impact sprinkler

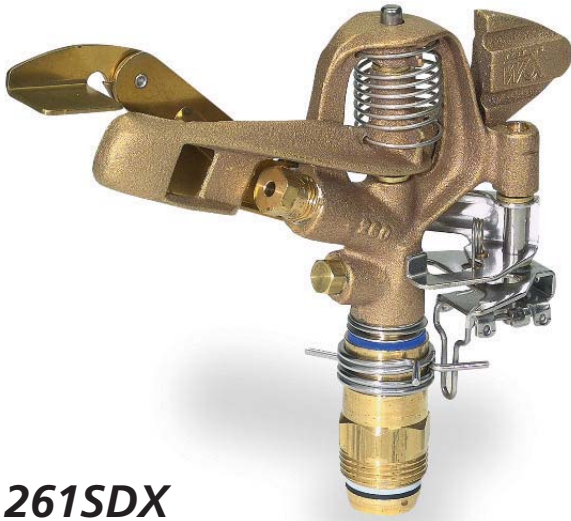
90DZ Performance Chart

Nozzle	Pressure		Radius		Flow	
	PSI	Bars	Feet	Meters	GPM	Ltrs/Min
10	25	1.72	34	10.36	3.54	13.40
	30	2.07	35	10.67	3.94	14.94
	35	2.41	38	11.58	4.35	16.49
	40	2.76	41	12.50	4.62	17.52
	45	3.10	43	13.11	4.90	18.55
	50	3.45	45	13.72	5.17	19.58
	55	3.79	46	14.02	5.44	20.61

65P Performance Chart

Nozzle	Pressure		Radius		Flow	
	PSI	Bars	Feet	Meters	GPM	Ltrs/Min
10	25	1.72	34	10.36	3.54	13.40
	30	2.07	35	10.67	3.94	14.94
	35	2.41	38	11.58	4.35	16.49
	40	2.76	41	12.50	4.62	17.52
	45	3.10	43	13.11	4.90	18.55
	50	3.45	45	13.72	5.17	19.58
	55	3.79	46	14.02	5.44	20.61
	60	4.14	47	14.33	5.64	21.38

Alternative sprinklers to solid brass models. Ideal for budget projects, including lawn and garden irrigation, nurseries, greenhouses, dust control and temporary installations.



261SDX

Features and Benefits

- Solid brass construction.
- Anti-backsplash drive arm.
- 20° to 340° arc or full circle.
- Stainless steel drive spring.
- "Sure Seal®" sand load bearing assembly.
- Chemical resistant bearing seals.
- Stainless steel trip assembly & collars.
- Adjustable diffuser pin all models.
- Adjustable deflector plate.
- Double nozzle or single nozzle and plug.
- Solid brass nozzle.

Operating Ranges

U.S.	Metric
<i>Pressure:</i> 30 - 60 psi	2.07 - 4.14 bar
<i>Flow:</i> 3.94 - 13.73 gpm	14.94 - 52.02 ltrs/min.
<i>Spacing:</i> 41 - 50 feet	12.50 - 15.24 meters
<i>Trajectory:</i> 25°	

Specifications

- 3/4" male inlet, National Pipe Thread (NPT).
- Nozzle thread top drive 1/4"-18 NPT.
- Lower nozzle 3/8"-24 UNF.

To Specify:

261SDX	10	06
Model	Nozzle Code	Nozzle Code

M O D E L D E S C R I P T I O N S	
Model No.	Description
261SDX	Sure Seal® Adjustable deflector plate & diffuser pin

Designed for large turf areas, dust control, nurseries and general purpose use.

261SDX Series Performance Chart

Single Nozzle	261SDX					
	Pressure		Radius		Flow	
	PSI	Bars	Feet	Meters	GPM	Ltrs/Min
10/PG	30	2.07	41	12.50	3.94	14.94
	35	2.41	42	12.80	4.35	16.49
	40	2.76	43	13.11	4.62	17.52
	45	3.10	44	13.41	4.90	18.55
	50	3.45	45	13.72	5.17	19.58
	55	3.79	45	13.72	5.44	20.61
	60	4.14	46	14.02	5.64	21.38
11/PG	30	2.07	42	12.80	4.62	17.52
	35	2.41	43	13.11	5.03	19.06
	40	2.76	44	13.41	5.37	20.35
	45	3.10	45	13.72	5.64	21.38
	50	3.45	46	14.02	6.05	22.93
	55	3.79	47	14.33	6.39	24.22
	60	4.14	47	14.33	6.53	24.73
12/PG*	30	2.07	43	13.11	5.31	20.12
	35	2.41	44	13.41	5.84	22.12
	40	2.76	45	13.72	6.32	23.94
	45	3.10	46	14.02	6.66	25.23
	50	3.45	47	14.33	7.01	26.56
	55	3.79	47	14.33	7.34	27.81
	60	4.14	48	14.63	7.68	29.10
13/PG	30	2.07	44	13.41	6.66	25.23
	35	2.41	45	13.72	7.21	27.32
	40	2.76	46	14.02	7.68	29.10
	45	3.10	47	14.33	8.23	31.18
	50	3.45	48	14.63	8.70	32.96
	55	3.79	48	14.63	9.04	34.25
	60	4.14	49	14.94	9.38	35.54
14/PG	30	2.07	45	13.72	7.21	27.32
	35	2.41	46	14.02	7.75	29.36
	40	2.76	47	14.33	8.29	31.41
	45	3.10	48	14.63	8.77	33.23
	50	3.45	49	14.94	9.31	35.27
	55	3.79	49	14.94	9.65	36.56
	60	4.14	50	15.24	10.21	38.68

* Standard Nozzle

NOZZLE CODE		
Code	Inches	mm
06	3/32"	2.4
08	1/8"	3.2
10	5/32"	4.0
11	11/64"	4.4
12	3/16"	4.8
13	13/64"	5.2
14	7/32"	5.6
PG	Plug	

261SDX Series Performance Chart

Double Nozzle	261SDX					
	Pressure		Radius		Flow	
	PSI	Bars	Feet	Meters	GPM	Ltrs/Min
10/06	30	2.07	41	12.50	5.20	19.73
	35	2.41	42	12.80	5.73	21.70
	40	2.76	43	13.11	6.10	23.14
	45	3.10	44	13.41	6.46	24.46
	50	3.45	45	13.72	6.83	25.87
	55	3.79	45	13.72	7.16	27.14
	60	4.14	46	14.02	7.43	28.15
11/06	30	2.07	42	12.80	5.88	22.31
	35	2.41	43	13.11	6.41	24.27
	40	2.76	44	13.41	6.85	25.97
	45	3.10	45	13.72	7.20	27.29
	50	3.45	45	13.72	7.71	29.22
	55	3.79	46	14.02	8.11	30.75
	60	4.14	47	14.33	8.32	31.50
12/06*	30	2.07	43	13.11	6.57	24.91
	35	2.41	44	13.41	7.32	27.33
	40	2.76	45	13.72	7.80	29.56
	45	3.10	46	14.02	8.22	31.14
	50	3.45	47	14.33	8.67	32.85
	55	3.79	47	14.33	9.06	34.34
	60	4.14	48	14.63	9.47	35.87
12/08	30	2.07	43	13.11	7.69	29.13
	35	2.41	44	13.41	8.63	32.69
	40	2.76	45	13.72	9.31	35.27
	45	3.10	46	14.02	9.79	37.09
	50	3.45	47	14.33	10.41	39.44
	55	3.79	47	14.33	10.88	41.22
	60	4.14	48	14.63	11.28	42.73
13/08	30	2.07	44	13.41	7.21	27.32
	35	2.41	45	13.72	7.75	29.36
	40	2.76	46	14.02	8.29	31.41
	45	3.10	47	14.33	8.77	33.23
	50	3.45	48	14.63	9.31	35.27
	55	3.79	48	14.63	9.65	36.56
	60	4.14	49	14.94	10.21	38.68
14/08	30	2.07	45	13.72	9.59	36.33
	35	2.41	46	14.02	10.61	40.20
	40	2.76	47	14.33	11.28	42.73
	45	3.10	48	14.63	11.91	45.12
	50	3.45	49	14.94	12.58	47.66
	55	3.79	49	14.94	13.12	49.71
	60	4.14	50	15.24	13.73	52.02

* Standard Nozzle

1" FULL/PART CIRCLE BRASS IMPACT SPRINKLER



360SAX

360SAX Series

Features and Benefits

- Solid brass construction.
- Stainless steel drive spring.
- "Sure Seal[®]" sand load bearing assembly.
- 20° to 340° arc or full circle operation.
- Solid brass nozzle.
- Dual nozzle or single nozzle and plug configuration.
- Chemical resistant bearing seals.
- Cast brass trip assembly.
- Stainless steel trip collars.
- Adjustable diffuser pin.

Operating Ranges

U.S.	Metric
Pressure: 35 - 100 psi	2.41 - 6.89 bar
Flow: 7.75 - 44.01 gpm	29.36 - 166.58 ltrs/min
Spacing: 49 - 77 feet	14.94 - 23.47 meters
Trajectory: 23°	

To Specify:

360SAX	18	08	BS
Model	Nozzle Code	Nozzle Code	Options

Specifications

- 1" male inlet, (NPT).
- Optional British Standard Pipe Threaded version available (BS).
- Drive nozzle 5/8" -18 UNF.
- Filler Nozzle 3/8" -24 UNF.

Well suited for large landscape irrigation requirements, pastures, logging, mining, and waste water treatment.

M O D E L D E S C R I P T I O N S	
Model No.	Description
360SAX	Adjustable diffuser pin, male bearing
OPTIONS:	For BSPT inlet, add (BS) to model number

360SA

Single Nozzle	Pressure		Radius		Flow	
	PSI	Bars	Feet	Meters	GPM	Ltrs/Min
360SA						
14/PG (7/32")	35	2.41	49	14.94	7.75	29.36
	40	2.76	51	15.55	8.29	31.41
	45	3.10	53	16.15	8.77	33.23
	50	3.45	55	16.76	9.31	35.27
	55	3.79	56	17.07	9.65	36.56
	60	4.14	58	17.68	10.21	38.68
	65	4.48	59	17.98	10.61	40.20
	70	4.83	60	18.29	10.94	41.45
	75	5.17	62	18.90	11.28	42.73
	80	5.52	63	19.20	11.69	44.29
	85	5.86	64	19.51	12.20	46.18
	90	6.21	66	20.12	13.54	51.25
	95	6.55	66	20.12	13.91	52.65
	100	6.89	67	20.42	14.27	54.01
16/PG (1/4")	35	2.41	52	15.85	10.21	38.68
	40	2.76	54	16.46	10.94	41.45
	45	3.10	55	16.76	11.62	44.02
	50	3.45	57	17.37	12.24	46.37
	55	3.79	57	17.37	12.85	48.68
	60	4.14	58	17.68	13.32	50.46
	65	4.48	62	18.90	13.87	52.55
	70	4.83	63	19.20	14.34	54.33
	75	5.17	64	19.51	14.82	56.15
	80	5.52	65	19.81	15.31	58.00
	85	5.86	66	20.12	16.50	62.45
	90	6.21	67	20.42	17.68	66.92
	95	6.55	68	20.73	18.16	68.74
	100	6.89	68	20.73	18.364	70.55
18/PG* (9/32")	35	2.41	55	16.76	12.92	48.95
	40	2.76	57	17.37	13.94	52.81
	45	3.10	58	17.68	14.75	55.88
	50	3.45	60	18.29	15.43	58.46
	55	3.79	62	18.90	16.32	61.83
	60	4.14	65	19.81	17.01	64.44
	65	4.48	67	20.42	17.61	66.72
	70	4.83	70	21.34	18.29	69.29
	75	5.17	71	21.64	18.91	71.64
	80	5.52	72	21.95	19.52	73.95
	85	5.86	73	22.25	20.95	79.30
	90	6.21	74	22.56	22.38	84.71
	95	6.55	74	22.56	22.99	87.02
	100	6.89	75	22.86	23.59	89.29
20/PG (5/16")	35	2.41	59	17.98	15.51	58.76
	40	2.76	59	17.98	16.72	63.34
	45	3.10	61	18.59	17.61	66.72
	50	3.45	63	19.20	18.63	70.58
	55	3.79	65	19.81	19.44	73.65
	60	4.14	67	20.42	20.33	77.02
	65	4.48	69	21.03	21.14	80.09
	70	4.83	71	21.64	21.96	83.20
	75	5.17	73	22.25	22.71	86.04
	80	5.52	75	22.86	23.46	88.88
	85	5.86	75	22.86	25.55	96.71
	90	6.21	76	23.17	24.63	104.58
	95	6.55	77	23.47	28.38	107.42
	100	6.89	78	23.78	29.12	110.22
22/PG (11/32")	35	2.41	59	17.98	17.88	67.74
	40	2.76	60	18.29	19.11	72.40
	45	3.10	63	19.20	20.19	76.49
	50	3.45	65	19.81	21.28	80.62
	55	3.79	67	20.42	22.37	84.75
	60	4.14	69	21.03	23.46	88.88
	65	4.48	70	21.34	24.01	90.96
	70	4.83	72	21.95	25.22	95.55
	75	5.17	74	22.56	26.11	98.92
	80	5.52	76	23.17	26.99	102.25
	85	5.86	77	23.47	30.21	114.34
	90	6.21	79	24.08	33.43	126.53
	95	6.55	80	24.35	34.34	129.98
	100	6.89	82	24.99	35.24	133.38
24/PG (3/8")	35	2.41	60	18.29	21.48	81.38
	40	2.76	62	18.90	23.12	87.59
	45	3.10	65	19.81	24.54	92.97
	50	3.45	67	20.42	25.97	98.39
	55	3.79	70	21.34	27.21	103.09
	60	4.14	73	22.25	28.35	107.40
	65	4.48	74	22.56	29.51	111.80
	70	4.83	75	22.86	30.53	115.66
	75	5.17	76	23.17	31.82	120.55
	80	5.52	77	23.47	32.77	124.15
	85	5.86	79	24.08	36.28	137.32
	90	6.21	80	24.38	39.78	150.57
	95	6.55	82	24.99	40.86	154.66
	100	6.89	83	25.30	41.93	157.71

* Standard Nozzle

360SA

Double Nozzle	Pressure		Radius		Flow	
	PSI	Bars	Feet	Meters	GPM	Ltrs/Min
360SA						
14/08 (7/32 x 1/8")	35	2.41	49	14.94	10.61	40.20
	40	2.76	51	15.55	11.28	42.73
	45	3.10	53	16.15	11.91	45.12
	50	3.45	55	16.76	12.58	47.66
	55	3.79	56	17.07	13.12	49.71
	60	4.14	58	17.68	13.73	52.02
	65	4.48	59	17.98	14.21	53.83
	70	4.83	60	18.29	14.75	55.88
	75	5.17	62	18.90	15.23	57.70
	80	5.52	63	19.20	15.71	59.52
	85	5.86	64	19.51	16.21	61.34
	90	6.21	66	20.12	16.70	63.21
	95	6.55	67	20.42	17.20	65.08
	100	6.89	67	20.42	17.69	66.96
16/08 (1/4 x 1/8")	35	2.41	52	15.85	13.26	50.24
	40	2.76	54	16.46	14.07	53.30
	45	3.10	55	16.76	14.89	56.41
	50	3.45	57	17.37	15.84	60.01
	55	3.79	57	17.37	16.52	62.59
	60	4.14	58	17.68	17.06	64.63
	65	4.48	62	18.90	17.88	67.74
	70	4.83	63	19.20	18.56	70.31
	75	5.17	64	19.51	19.04	72.13
	80	5.52	65	19.81	19.72	74.71
	85	5.86	65	19.81	20.39	77.16
	90	6.21	67	20.42	21.05	79.67
	95	6.55	68	20.73	21.72	82.19
	100	6.89	70	21.34	22.38	84.71
18/08* (9/32 x 1/8")	35	2.41	55	16.76	15.43	58.46
	40	2.76	57	17.37	16.52	62.59
	45	3.10	58	17.68	17.54	66.45
	50	3.45	60	18.29	18.49	70.05
	55	3.79	62	18.90	19.31	73.16
	60	4.14	65	19.81	20.26	76.76
	65	4.48	67	20.42	21.01	79.60
	70	4.83	70	21.34	21.82	82.67
	75	5.17	71	21.64	22.57	85.51
	80	5.52	72	21.95	23.25	88.08
	85	5.86	74	22.56	24.00	90.83
	90	6.21	75	22.86	24.75	93.66
	95	6.55	77	23.47	25.49	96.49
	100	6.89	78	23.78	26.24	99.32
20/08 (5/16 x 1/8")	35	2.41	59	17.98	18.02	68.27
	40	2.76	59	17.98	19.38	73.42
	45	3.10	61	18.59	20.40	77.29
	50	3.45	63	19.20	21.35	80.88
	55	3.79	65	19.81	22.51	85.28
	60	4.14	67	20.42	23.52	89.11
	65	4.48	69	21.03	24.41	92.48
	70	4.83	71	21.64	25.36	96.08
	75	5.17	73	22.25	26.18	99.18
	80	5.52	75	22.86	26.99	102.25
	85	5.86	76	23.17	27.86	105.44
	90	6.21	77	23.47	29.73	112.53
	95	6.55	78	23.78	31.59	119.57
	100	6.89	79	24.08	32.46	122.86
22/08 (11/32 x 1/8")	35	2.41	59	17.98	20.19	76.49
	40	2.76	60	18.29	21.49	81.41
	45	3.10	63	19.20	23.05	87.32
	50	3.45	65	19.81	24.28	91.98
	55	3.79	67	20.42	25.56	96.83
	60	4.14	69	21.03	26.52	100.47
	65	4.48	70	21.34	27.54	104.34
	70	4.83	72	21.95	28.70	108.73
	75	5.17	74	22.56	29.37	111.27
	80	5.52	76	23.17	30.32	114.87
	85	5.86	77	23.47	33.57	125.93
	90	6.21	77	23.47	36.22	137.09
	95	6.55	79	24.08	37.17	140.69
	100	6.89	80	24.38	38.12	144.28
24/08 (3/8 x 1/8")	35	2.41	60	18.29	23.73	89.90
	40	2.76	62	18.90	25.22	95.55
	45	3.10	65	19.81	26.72	101.23
	50	3.45	67	20.42	28.83	109.22
	55	3.79	70	21.34	29.65	112.33
	60	4.14	73	22.25	30.80	116.69
	65	4.48	74	22.56	31.96	121.08
	70	4.83	75	22.86	35.05	132.79
	75	5.17	76	23.17	34.07	129.07
	80	5.52	77	23.47	35.36	133.96
	85	5.86	78	23.78	39.50	149.51
	90	6.21	79	24.08	42.64	161.39
	95	6.55	80	24.38	43.78	165.71
	100	6.89	82	24.99	44.01	166.58

* Standard Nozzle

NOZZLE CODE		
Code	Inches	mm
08	1/8"	3.2
14	7/32"	5.6
16	1/4"	6.4
18	9/32"	7.1
20	5/16"	7.9
22	11/32"	8.7
24	3/8"	9.5
PG	Plug	



AI123

1 1/4" Full or Part Circle
Over Under Nozzles

To Specify:

AI123	18	PG
Model	Nozzle Code	Nozzle Code

If you need an impact that will reach farther, Buckner's 1 1/4" impacts are exactly what you need. With a radius up to 113 feet, your large commercial, agricultural, or municipal requirements are easily met. As always, a wide variety of nozzles give extra control over the impact's use, whether they're being permanently installed or added to a quick coupler for special applications.

Features and Benefits

- Solid brass nozzle.
- Inner break-up/spreader nozzle provides uniform water distribution.
- Stream straighteners ensure maximum radius, superior high wind performance.
- Brass and stainless steel construction provide strength, durability and corrosion resistance.
- Stainless stops ease arc adjustment (part circle).
- 23° Trajectory

Operating Ranges

*Throw: 75' -113' radius
150' - 226' diameter*

Flow: 24.9 - 121 gpm

Pressure: 55 - 95 psi

Trajectory: 23°

Specifications

- 1 1/4" male inlet, National Pipe Thread (NPT).
- Nozzle thread top drive 1"-20 UNEF.
- Lower nozzle 1/8"-27 NPT NPT.

NOZZLE CODE		
Code	Inches	mm
PG	Plug	
14	7/32"	5.60
15	15/64"	6.00
16	1/4"	6.40
17	17/64"	6.70
18	9/32"	7.10
22	11/32"	8.70
24	3/8"	9.50
26	13/32"	10.30
28	7/16"	11.10
32	1/2"	12.70
34	17/32"	13.50
36	9/16"	14.30
40	5/8"	15.90

MODEL DESCRIPTIONS	
Model No.	1 1/4" Male NPT, Brass, Full/Part Circle
AI123	Full/part circle, over under nozzle

AI123				AI123				AI123				AI123			
23° Trajectory				23° Trajectory				23° Trajectory				23° Trajectory			
Nozzle Code	Pressure PSI	Radius ft.	Flow GPM	Nozzle Code	Pressure bars	Radius meters	Flow m ³ /hr.	Nozzle Code	Pressure PSI	Radius ft.	Flow GPM	Nozzle Code	Pressure bars	Radius meters	Flow m ³ /hr.
22/PG	55	73	24.9	22/PG	3.9	22.3	5.7	22/14	55	73	34.9	22/14	3.9	22.3	7.9
	60	75	25.8		4.2	22.9	5.9		60	75	36.5		4.2	22.9	8.3
	65	77	26.9		4.6	23.5	6.1		65	77	38.0		4.6	23.5	8.6
	70	80	27.0		4.9	24.4	6.1		70	80	38.8		4.9	24.4	8.8
	75	81	28.9		5.3	24.7	6.6		75	81	41.0		5.3	24.7	9.3
	80	81	30.4		5.6	24.7	6.9		80	81	42.6		5.6	24.7	9.7
	85	81	31.1		6.0	24.7	7.1		85	81	43.8		6.0	24.7	9.9
	90	83	32.7		6.3	25.3	7.4		90	83	44.0		6.3	25.3	10.0
	95	85	32.8		6.7	25.9	7.5		95	85	45.6		6.7	25.9	10.4
24/PG*	55	75	29.6	24/PG*	3.9	22.9	6.7	24/14*	55	77	35.7	24/14*	3.9	23.5	8.1
	60	79	30.8		4.2	24.1	7.0		60	79	37.2		4.2	24.1	8.5
	65	81	32.0		4.6	24.7	7.3		65	81	38.7		4.6	24.7	8.8
	70	83	33.3		4.9	25.3	7.6		70	83	40.2		4.9	25.3	9.1
	75	85	34.7		5.3	25.9	7.9		75	85	41.7		5.3	25.9	9.5
	80	86	35.7		5.6	26.2	8.1		80	85	43.2		5.6	25.9	9.8
	85	87	36.0		6.0	26.5	8.2		85	86	44.7		6.0	26.2	10.2
	90	89	38.3		6.3	27.1	8.7		90	87	46.2		6.3	26.5	10.5
	95	91	39.1		6.7	27.7	8.9		95	87	46.9		6.7	26.5	10.7
26/PG	55	75	32.9	26/PG	3.9	22.9	7.5	26/14	55	75	43.4	26/14	3.9	22.9	9.9
	60	76	34.4		4.2	23.2	7.8		60	76	46.6		4.2	23.2	10.6
	65	77	35.8		4.6	23.5	8.1		65	77	48.6		4.6	23.5	11.0
	70	77	37.2		4.9	23.5	8.5		70	77	50.4		4.9	23.5	11.4
	75	77	38.5		5.3	23.5	8.7		75	77	52.4		5.3	23.5	11.9
	80	78	39.9		5.6	23.8	9.1		80	78	54.3		5.6	23.8	12.3
	85	79	41.2		6.0	24.1	9.4		85	79	56.0		6.0	24.1	12.7
	90	79	42.3		6.3	24.1	9.6		90	79	57.9		6.3	24.1	13.2
	95	79	43.3		6.7	24.1	9.8		95	79	59.6		6.7	24.1	13.5
28/PG	55	83	39.7	28/PG	3.9	25.3	9.0	28/14	55	83	49.1	28/14	3.9	25.3	11.2
	60	86	41.6		4.2	26.2	9.4		60	86	51.5		4.2	26.2	11.7
	65	87	43.3		4.6	26.5	9.8		65	87	53.8		4.6	26.5	12.2
	70	89	45.1		4.9	27.1	10.2		70	89	55.9		4.9	27.1	12.7
	75	90	46.8		5.3	27.4	10.6		75	90	57.9		5.3	27.4	13.2
	80	91	48.0		5.6	27.7	10.9		80	91	60.0		5.6	27.7	13.6
	85	93	50.0		6.0	28.3	11.4		85	93	62.0		6.0	28.3	14.1
	90	95	51.5		6.3	29.0	11.7		90	95	63.9		6.3	29.0	14.5
	95	96	53.0		6.7	29.3	12.0		95	96	65.8		6.7	29.3	14.9
32/PG	55	89	50.7	32/PG	3.9	27.1	11.5	32/16	55	89	63.9	32/16	3.9	27.1	14.5
	60	91	53.0		4.2	27.7	12.0		60	91	67.0		4.2	27.7	15.2
	65	93	55.3		4.6	28.3	12.6		65	93	70.0		4.6	28.3	15.9
	70	94	57.7		4.9	28.7	13.1		70	94	72.6		4.9	28.7	16.5
	75	96	59.6		5.3	29.3	13.5		75	96	75.4		5.3	29.3	17.1
	80	101	63.0		5.6	30.8	14.3		80	101	75.6		5.6	30.8	17.2
	85	102	63.5		6.0	31.1	14.4		85	102	80.5		6.0	31.1	18.3
	90	103	65.3		6.3	31.4	14.8		90	103	83.6		6.3	31.4	19.0
	95	105	67.1		6.7	32.0	15.2		95	105	85.0		6.7	32.0	19.3
36/PG	55	96	63.2	36/PG	3.9	29.3	14.4	36/16	55	96	76.8	36/16	3.9	29.3	17.4
	60	97	65.5		4.2	29.6	14.9		60	97	80.5		4.2	29.6	18.3
	65	99	69.4		4.6	30.2	15.8		65	99	84.1		4.6	30.2	19.1
	70	101	72.2		4.9	30.8	16.4		70	101	87.4		4.9	30.8	19.9
	75	102	74.9		5.3	31.1	17.0		75	102	90.7		5.3	31.1	20.6
	80	104	77.5		5.6	31.7	17.6		80	104	93.6		5.6	31.7	21.3
	85	105	80.0		6.0	32.0	18.2		85	105	96.9		6.0	32.0	22.0
	90	106	82.2		6.3	32.3	18.7		90	106	99.5		6.3	32.3	22.6
	95	108	84.3		6.7	32.9	19.1		95	108	102.0		6.7	32.9	23.2
40/PG	55	97	84.9	40/PG	3.9	29.6	19.3	40/16	55	97	90.0	40/16	3.9	29.6	20.4
	60	101	89.0		4.2	30.8	20.2		60	101	94.7		4.2	30.8	21.5
	65	105	93.2		4.6	32.0	21.2		65	105	99.2		4.6	32.0	22.5
	70	107	96.5		4.9	32.6	21.9		70	107	103.0		4.9	32.6	23.4
	75	109	99.8		5.3	33.2	22.7		75	109	107.0		5.3	33.2	24.3
	80	110	102.9		5.6	33.5	23.4		80	110	110.0		5.6	33.5	25.0
	85	111	106.0		6.0	33.8	24.1		85	111	114.0		6.0	33.8	25.9
	90	112	109.3		6.3	34.1	24.8		90	112	117.0		6.3	34.1	26.6
	95	113	112.0		6.7	34.4	25.4		95	113	121.0		6.7	34.4	27.5

*Standard Nozzle